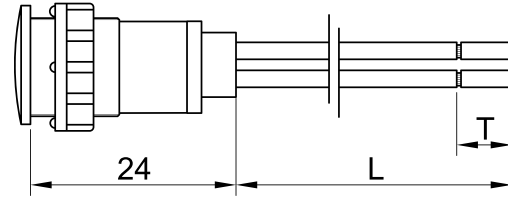
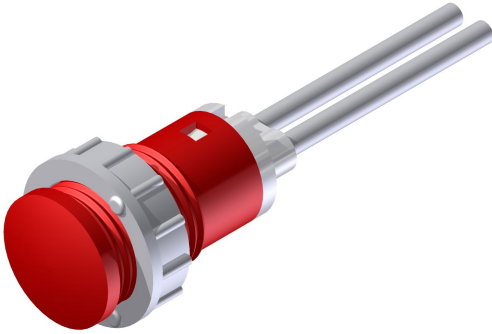




SLIM S.r.l.

Via dei Tigli, 14/16 (Z.I.)
20853 - Biassono (Monza Brianza) - Italy
commerciale@slim.it
www.slim.it

CODE: **TB/012/SDK**



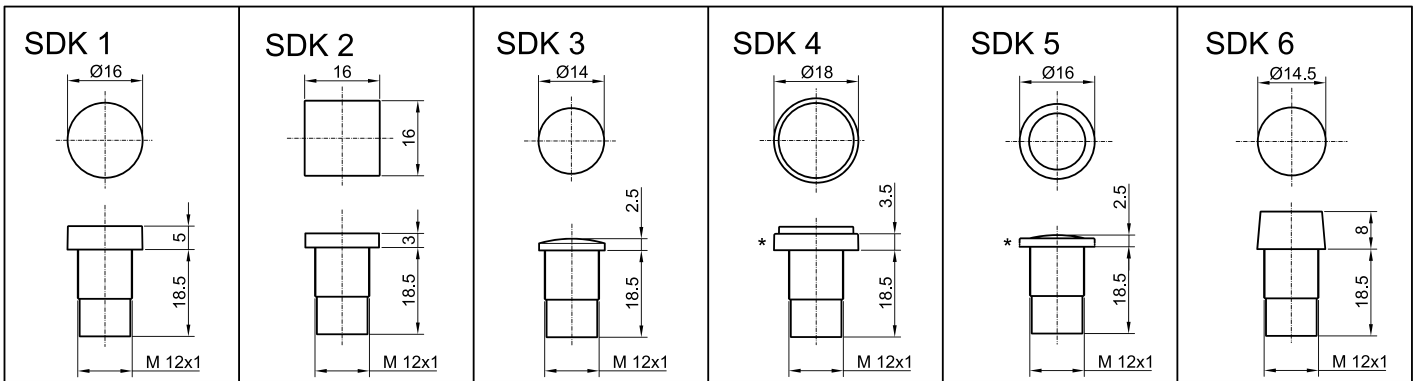
Light indicator with nut locking

The compact shape allows a minimum internal encumbrance

It can be supplied with mounted or separated nut

Lamps	incandescent • neon/fluoro • LED
Working Voltage	2V • 6V • 12V • 24V • 48V • 110V • 250V • 400V
Working temperature	90°C Max • 120°C Max • 150°C Max
Hole diameter	12mm
Recommended thickness panel	from 0,5mm to 5mm
Method of connection to the panel	with nut
Type of connection	pvc cable • silicone cable • silicone-glass cable
Wire ends	on request
Type of lens	SDK1 • SDK2 • SDK3 • SDK4 • SDK5 • SDK 6

Lenses available



* Ghiera in metallo - Metal ring