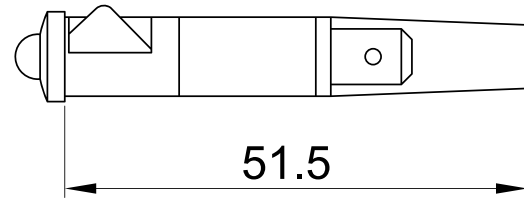
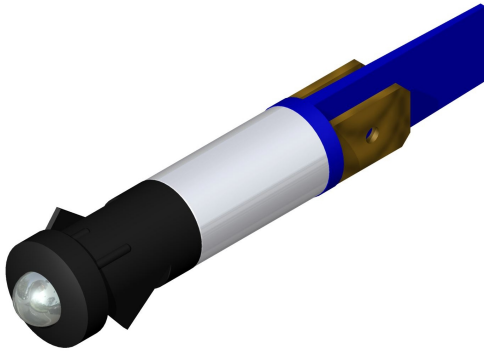




SLIM S.r.l.

Via dei Tigli, 14/16 (Z.I.)
20853 - Biassono (Monza Brianza) - Italy
commerciale@slim.it
www.slim.it

CODE: **LDF/09**



LED light indicator with front panel's connection

The color of the LED light is identified by the partition between the 2 fastons

AC/DC working without the need of any polarization of the signal

Lamps	LED
Working Voltage	2V • 6V • 12V • 24V • 48V • 110V • 250V • 400V
Working temperature	120°C Max
Hole diameter	9mm
Recommended thickness panel	from 0,5mm to 5mm
Method of connection to the panel	self-locking
Type of connection	male faston 6,3x0,8mm • male faston 4,8x0,8mm
Wire ends	on request
Type of lens	09/01
Color's lens	Black or chromium plated lens

Lenses available

